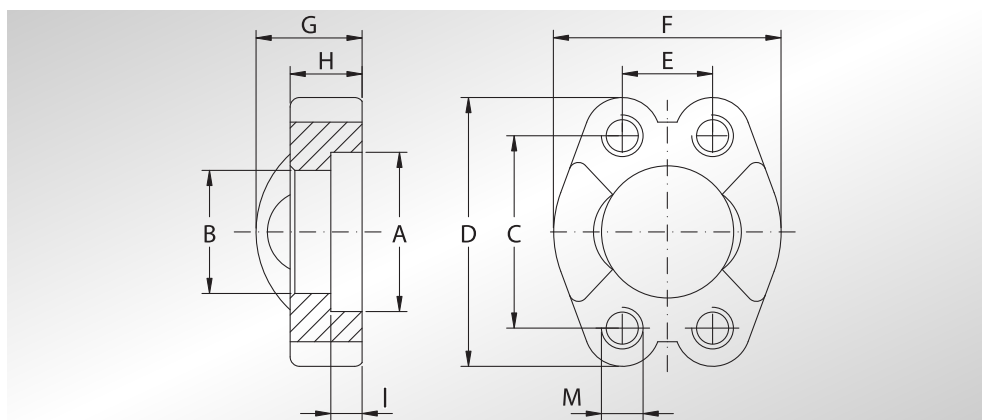


**SEMIFLANGE  
INTERE CON FORI  
DI FISSAGGIO  
FILETTATI METRICI**



**UNCUT SPLIT  
FLANGES WITH  
METRIC THREADED  
FIXING HOLES**



Pressione max di esercizio raccomandata Kg/cm <sup>2</sup>	Grandezza	Tipo	Dimensioni										Peso Kg
Maximum recommended working pressure Kg/cm <sup>2</sup>	Size	Type	Dimensions										Weight Kg
			A	B	C	D	E	F	G	H	I	M	

**SERIE 3000**

345	1/2"	GFSI301	30,96	24,26	38,10	54	17,48	45,6	19	13	6,22	M8	0,12
345	3/4"	GFSI302	38,89	32,13	47,63	65	22,23	51,8	22	14	6,22	M10	0,16
345	1"	GFSI303	45,24	38,48	52,37	70	26,19	58,4	24	16	7,49	M10	0,22
276	1"1/4	GFSI304	51,59	43,69	58,72	79	30,18	72,6	22	14	7,49	M10	0,30
207	1"1/2	GFSI305	61,09	50,80	69,85	94	35,71	82,2	25	16	7,49	M12	0,43
207	2"	GFSI306	72,24	62,74	77,77	102	42,88	96,4	26	16	9,02	M12	0,56
172	2"1/2	GFSI307	84,94	74,93	88,90	114	50,80	108,2	38	19	9,02	M12	0,74
138	3"	GFSI308	102,39	90,93	106,38	135	61,93	130,6	41	22	9,02	M16	1,30
34	3"1/2	GFSI309	115,10	102,36	120,65	152	69,85	139,0	28	22	10,72	M16	1,27
34	4"	GFSI310	127,79	115,06	130,18	162	77,77	152,0	35	25	10,72	M16	1,65
34	5"	GFSI311	153,19	140,46	152,40	184	92,08	180,0	41	28	10,72	M16	2,50

**SERIE 6000**

414	1/2"	GFSI601	32,54	24,64	40,49	56	18,24	47,2	22	16	7,24	M8	0,16
414	3/4"	GFSI602	42,06	32,51	50,80	71	23,80	60,0	28	19	8,26	M10	0,34
414	1"	GFSI603	48,41	38,86	57,15	81	27,76	69,6	33	24	9,02	M12	0,51
414	1"1/4	GFSI604	54,76	44,45	66,68	95	31,75	77,2	38	27	9,78	M14	0,80
414	1"1/2	GFSI605	64,29	51,56	79,38	113	36,50	95,0	43	30	12,07	M16	1,44
414	2"	GFSI606	80,16	67,56	96,82	133	44,45	113,8	52	37	12,07	M20	2,10

**DESIGNAZIONE PER ORDINE  
DESIGNATION FOR ORDER**

Semiflangua intera con fori di fissaggio metrici  
Uncut split flange with metric threaded fixing holes

**Materiale / Material**

**ST52.3**      **AISI 316L**

**GFSI...**

**GFXI...**

**NOTE / NOTES**

Rivestimento superficiale: zincatura gialla.  
Superficial coating: yellow zinking.