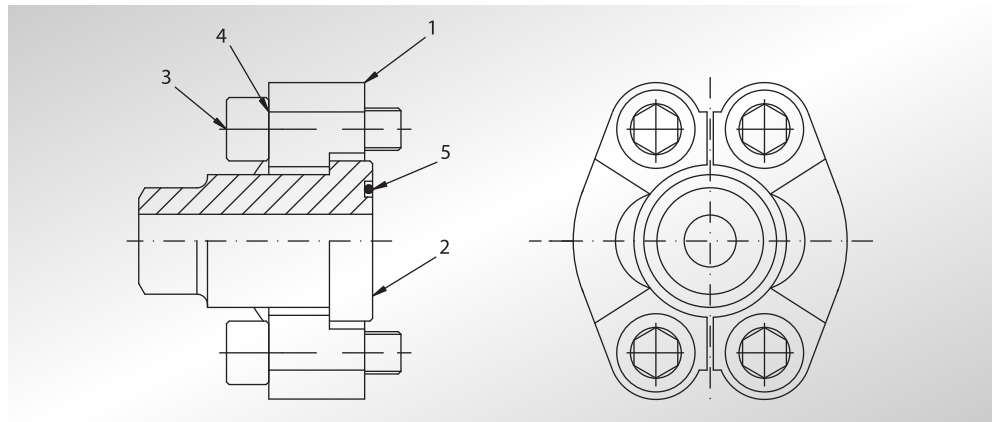




GRUPPO SEMIFLANGIA TAGLIATA

GROUP CUT SPLIT FLANGE



DISTINTA COMPONENTI - LIST OF COMPONENTS

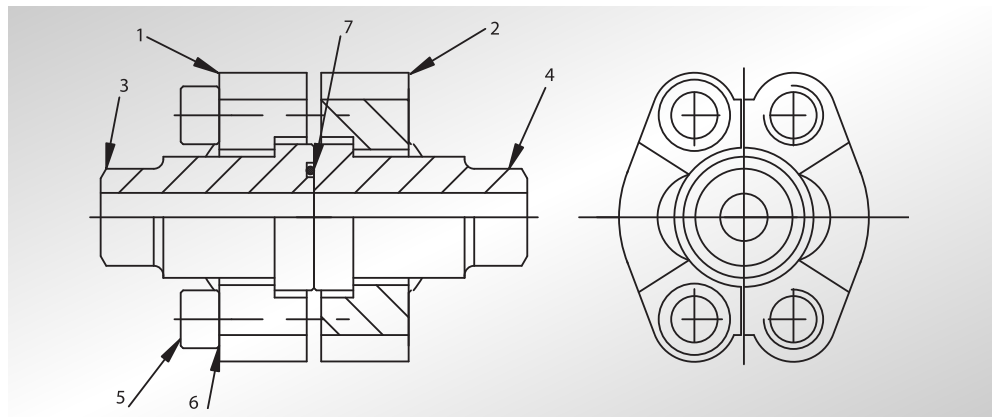
AFS...STM

Pos.	Q.tà	Codice O.T.	Descrizione	Materiale	Riferimento
Pos.	Q.ty	O.T. code	Description	Material	Reference
5	1	OR....	O-RING	NBR70	
4	4	GROWER..	GROWER	FE	
3	4	M..x...	VITE / SCREW	CL.8.8	
2	1	SFS...ST	CODOLO / ADAPTER	A105	PG. 60 / 61
1	1	AFS...	SEMIFLANGIA TAGLIATA / CUT SPLIT FLANGE	ST52.3	PG. 53



DOPPIA SEMIFLANGIA TAGLIATA

DOUBLE CUT SPLIT FLANGE



DISTINTA COMPONENTI - LIST OF COMPONENTS

DFS...STM

Pos.	Q.tà	Codice O.T.	Descrizione	Materiale	Riferimento
Pos.	Q.ty	O.T. code	Description	Material	Reference
7	1	OR....	O-RING	NBR70	
6	4	GROWER..	GROWER	FE	
5	4	M..x...	VITE / SCREW	CL.8.8	
4	1	SFS...STC	CONTROCODOLO / COUNTER ADAPTER	A105	PG. 60 / 61
3	1	SFS...ST	CODOLO / ADAPTER	A105	PG. 60 / 61
2	1	GFSI...	SEMIFLANGIA FILETTATA / THREADED SPLIT FLANGE	ST52.3	PG. 55
1	1	AFS...	SEMIFLANGIA TAGLIATA / CUT SPLIT FLANGE	ST52.3	PG. 53